



# Adjustable Steel Shelving



- GECA - (Good Environmental Choice Australia) approved.
- Rolled Post Shelving is a practical and inexpensive solution to your filing and storage requirements.
- Totally modular, versatile and able to be expanded as your storage requirements grow.
- Ideal for warehouses, factories, schools, hospitals, retail stores, spare parts, homes and garages.
- Shelving units can be configured as a stand alone bay, side-by-side bays or back-to back bays.
- Can be assembled as a DIY or by trained Davell installers.
- Each shelf is adjustable to increments of 25.4mm.
- Optional Dress End Panels for a smooth modern appearance.
- Slotted shelves accommodate our 'easy install' Polycarbonate Shelf Dividers.
- Shelf loadings of 80kgs to 230kgs when reinforced.
- Accessories include: Polycarbonate Shelf Dividers, Toastracks, Roll-Out Reference Shelves, Roll-Out Suspension Frames, Roll-Out Media Drawers.
- Scratch & scuff resistant powdercoat finish.
- Large range of colour and finishes.
- Lifetime Warranty.

*Proudly Australian Owned and Manufactured Since 1946*

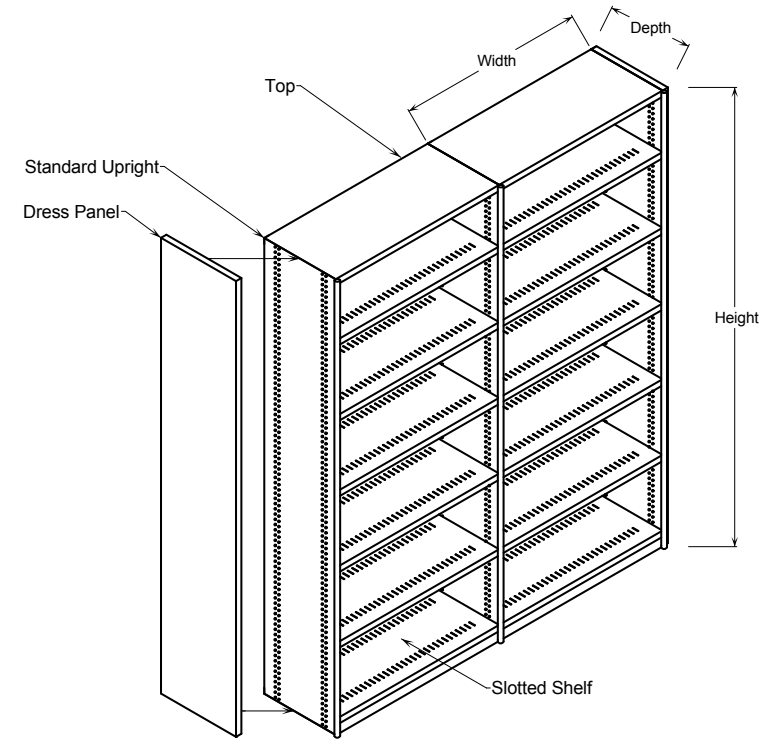
**DAVELL**

# Adjustable Steel Shelving



Specifications		
<b>Heights</b>		1803mm
		1980mm
		2210mm
		2413mm
<b>Widths</b>	Add 30mm for Dress Panels	762mm
		915mm
		1050mm
		1220mm
<b>Depths</b>	The size listed is the actual bay depth. Deduct 20mm for the overall shelf depth.	250mm
		325mm
		420mm
		477mm
		630mm
<b>Shelves</b> <i>Unslotted &amp; Slotted</i>	Shelf Profile	30mm
	Weight Loading - 762mm	100kgs
	Weight Loading - 915mm	100kgs
	Weight Loading - 1050mm	100kgs
	Weight Loading - 1220mm	80kgs
	Shelf Adjustment	25.4mm
<b>Accessories</b> <i>(All Roll-Out accessories require a minimum bay depth of 325mm)</i>	Shelf Dividers - Polycarbonate, Toastracks, Roll-Out Reference Shelves, Roll-Out Suspension Frames, Roll-Out Media Drawers	

Contact our office for a free onsite measure and quote or advise on your requirements.



Shelf Divider  
Polycarbonate



Toastracks



Roll-Out  
Reference Shelf



Roll-Out  
Suspension  
Frame



Roll-Out Media  
Drawer

Phone: [02] 9521 4333  
 Fax: [02] 9521 6191  
 Email: davell@davell.com.au

[www.davell.com.au](http://www.davell.com.au)